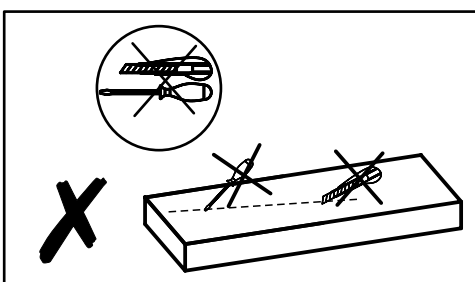
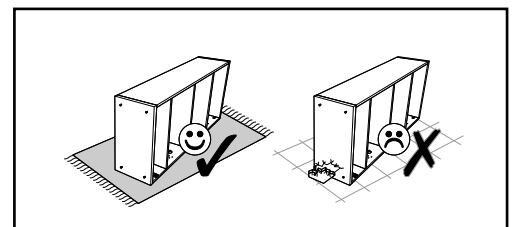
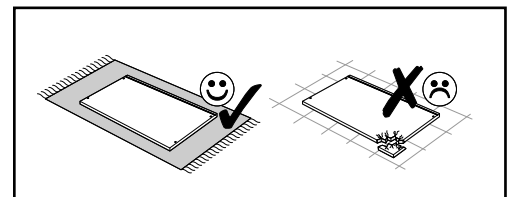
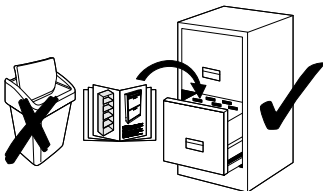
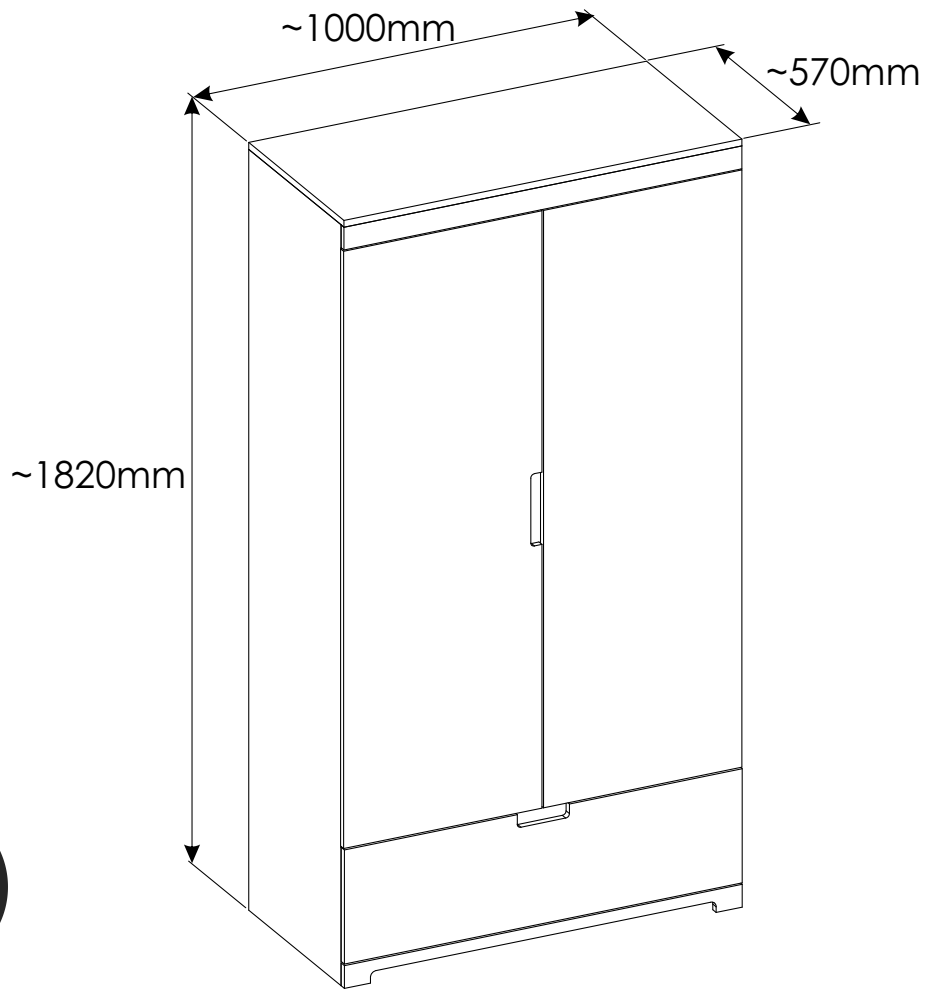
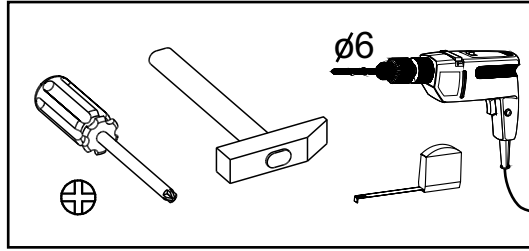
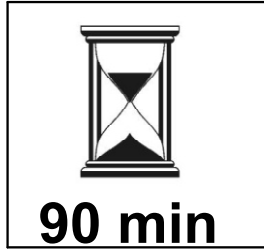
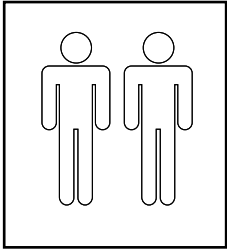
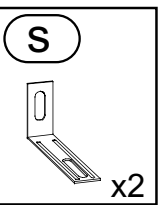
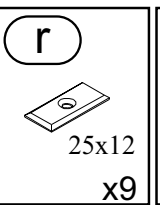
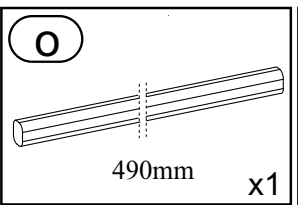
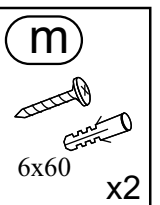
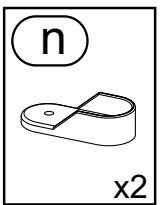
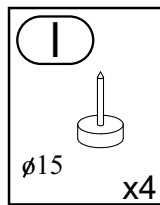
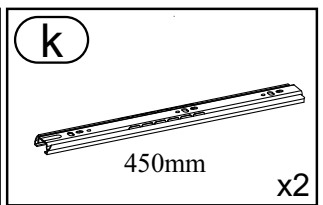
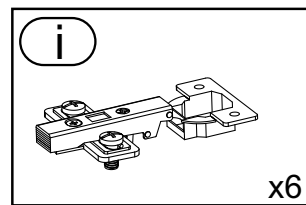
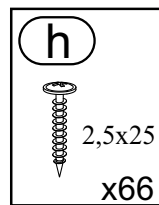
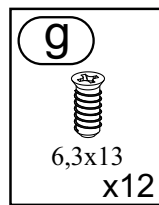
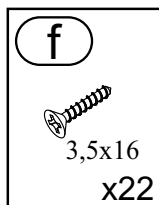
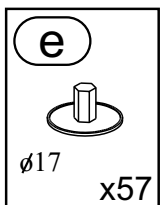
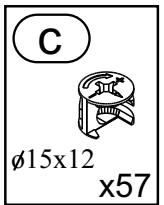
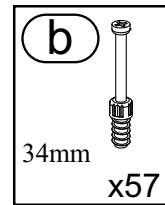
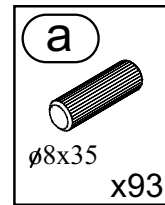
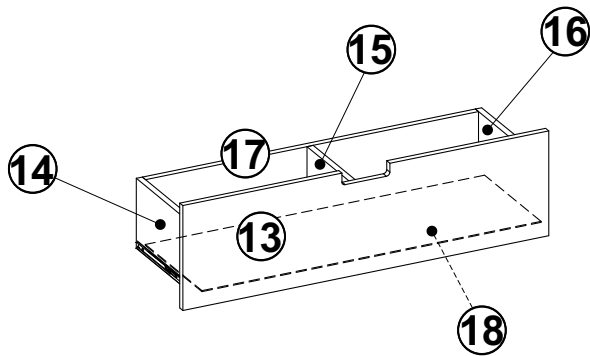
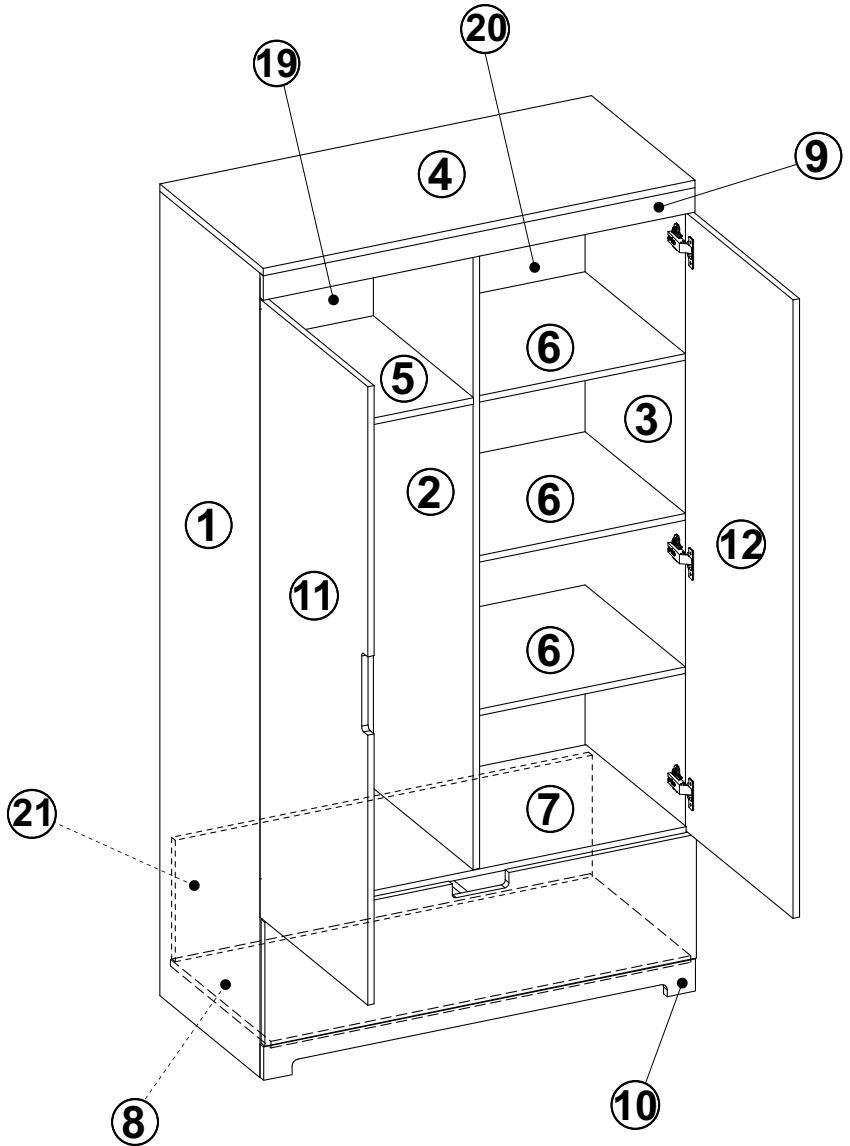


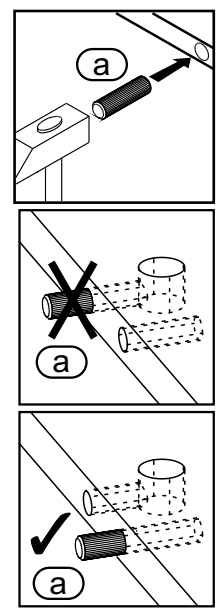
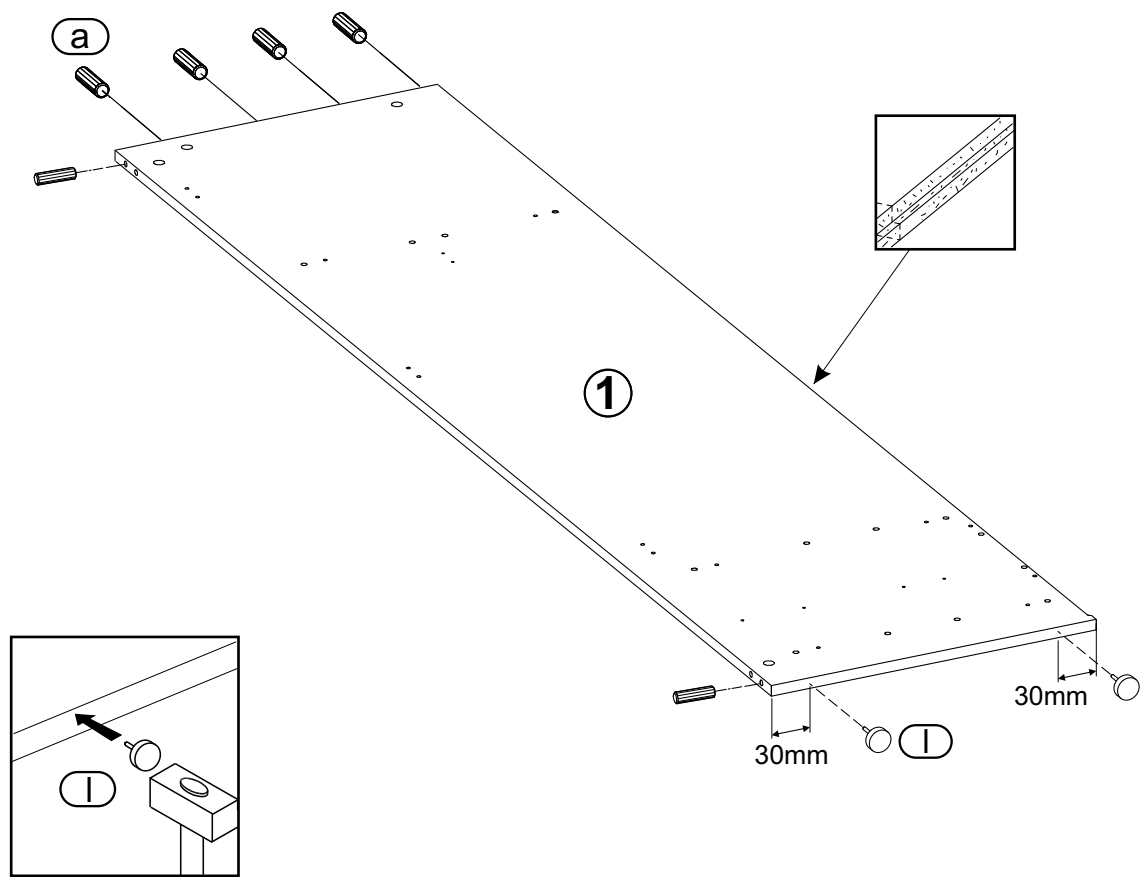
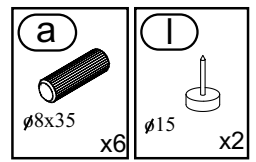
# TOMI



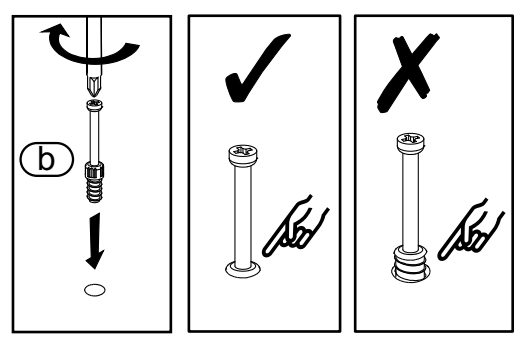
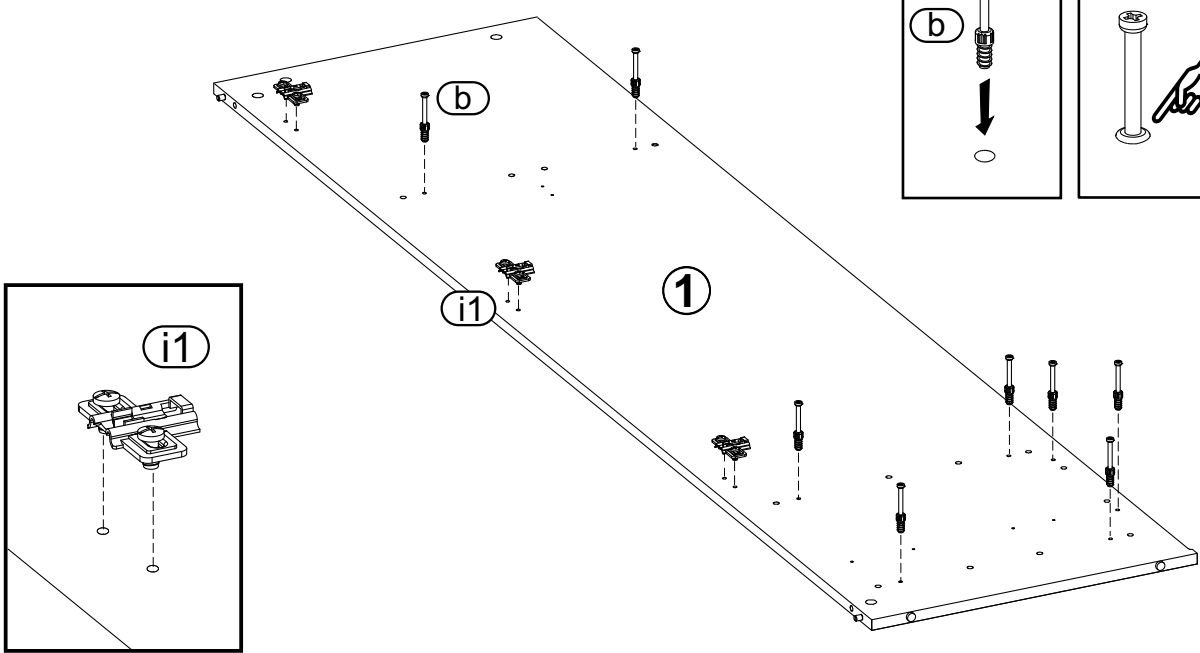
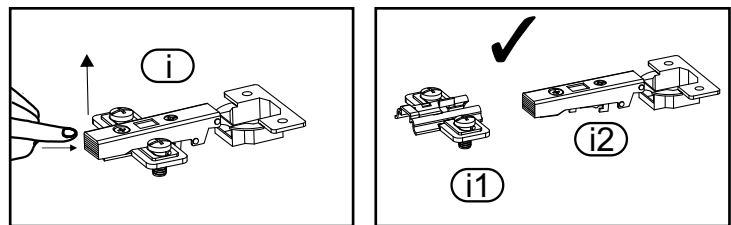
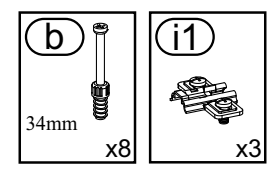
①	1797x550	1	1/5
②	1422x545	1	2/5
③	1797x550	1	1/5
④	1000x570	1	3/5
⑤	545x497	1	4/5
⑥	545x445	3	4/5
⑦	960x545	1	3/5
⑧	960x550	1	3/5
⑨	994x60	1	5/5
⑩	994x60	1	5/5
⑪	1366x496	1	2/5
⑫	1366x496	1	2/5
⑬	994x300	1	5/5
⑭	450x220	1	5/5
⑮	432x206	1	5/5
⑯	450x220	1	5/5
⑰	898x220	1	5/5
⑱	912x446	1	1/5
⑲	1453x520	1	1/5
⑳	1453x468	1	1/5
㉑	960x292	1	5/5



# 1

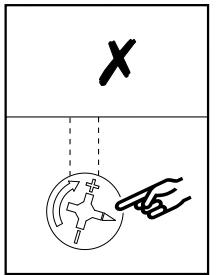
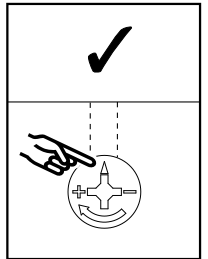
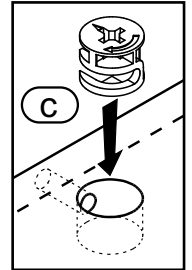
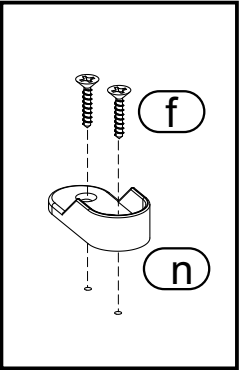
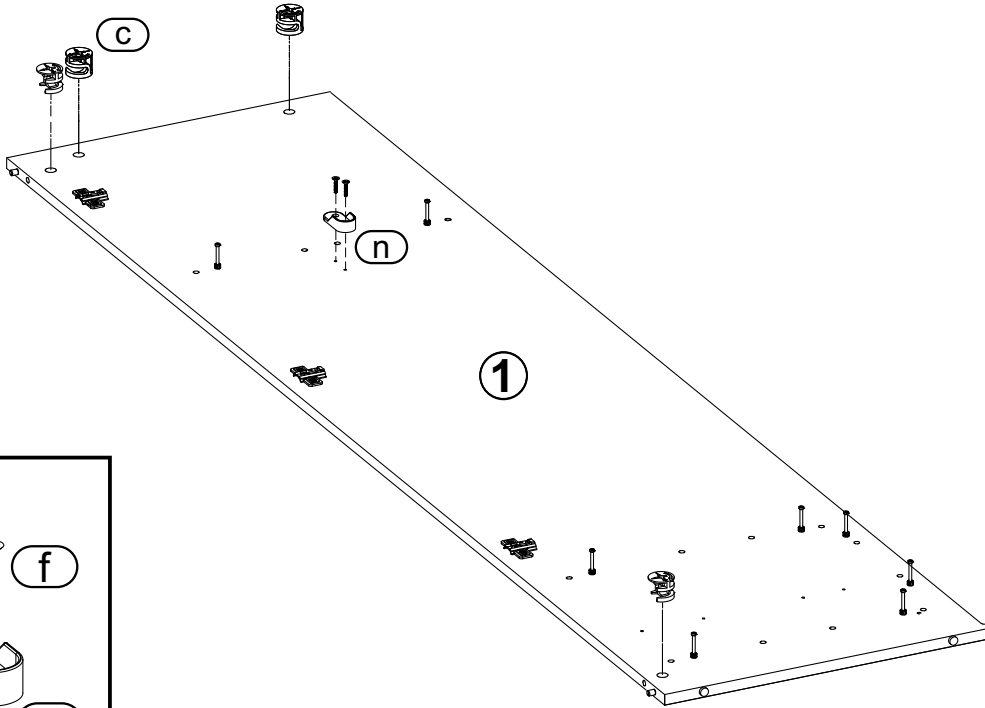


# 2

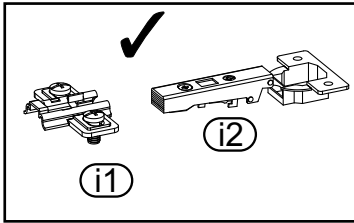
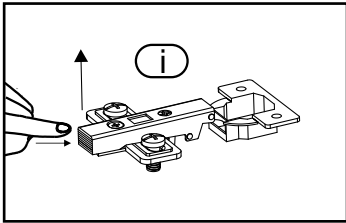


# 3

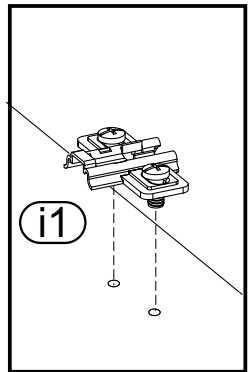
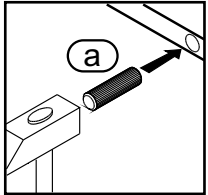
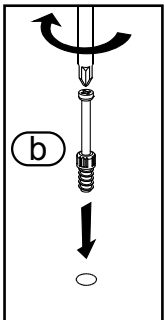
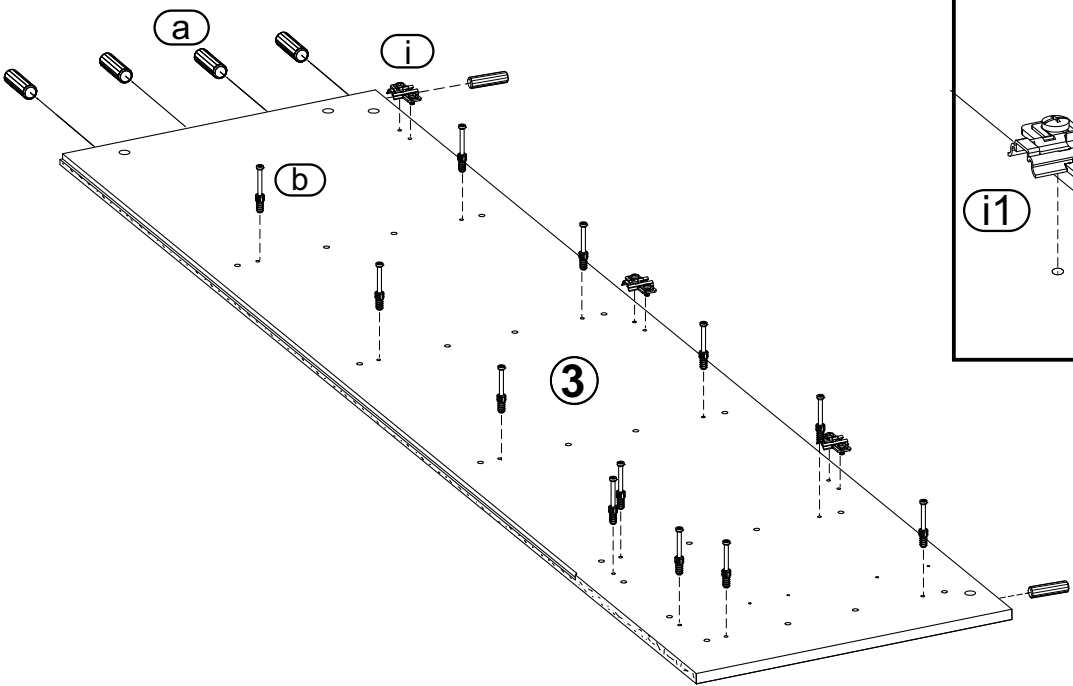
- |                          |                          |                |
|--------------------------|--------------------------|----------------|
| <b>c</b><br>Ø15x12<br>x4 | <b>f</b><br>3,5x16<br>x2 | <b>n</b><br>x1 |
|--------------------------|--------------------------|----------------|



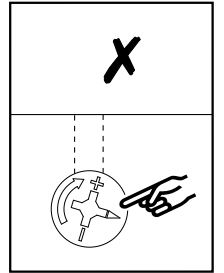
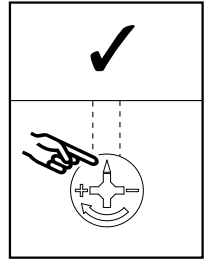
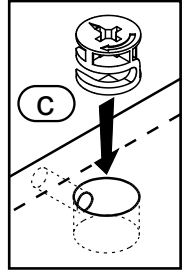
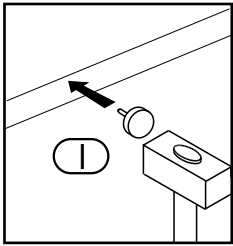
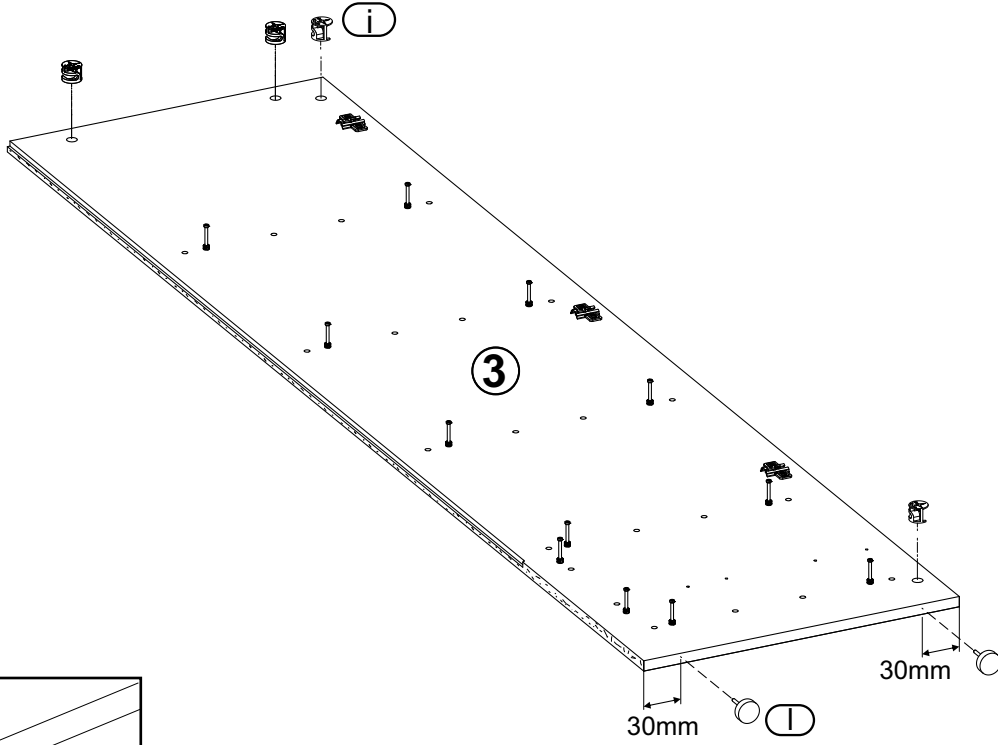
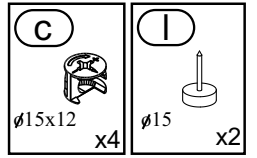
# 4



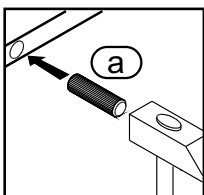
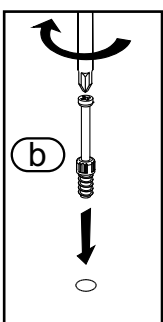
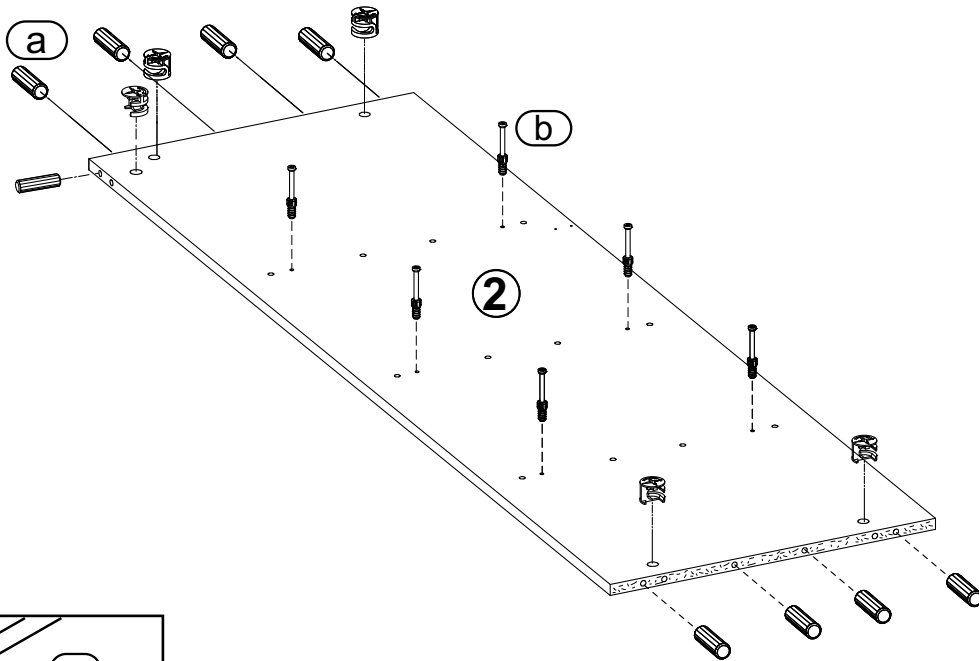
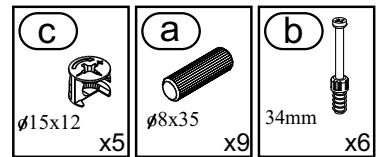
- |                         |                         |                 |
|-------------------------|-------------------------|-----------------|
| <b>a</b><br>Ø8x35<br>x6 | <b>b</b><br>34mm<br>x12 | <b>i1</b><br>x3 |
|-------------------------|-------------------------|-----------------|



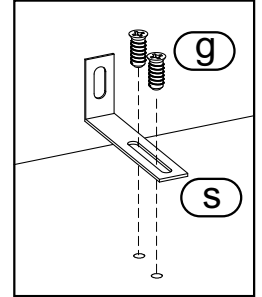
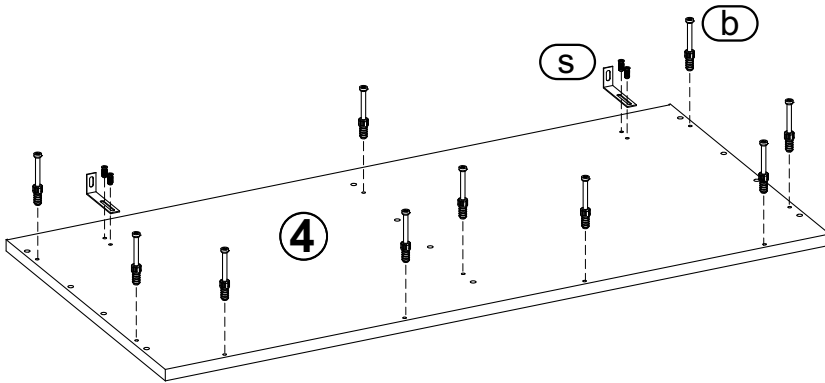
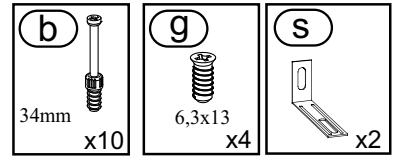
# 5



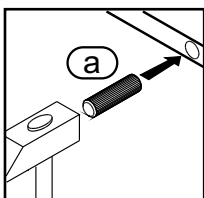
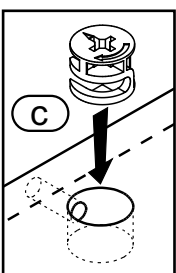
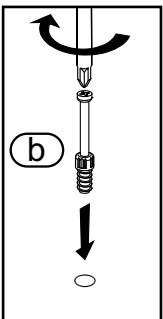
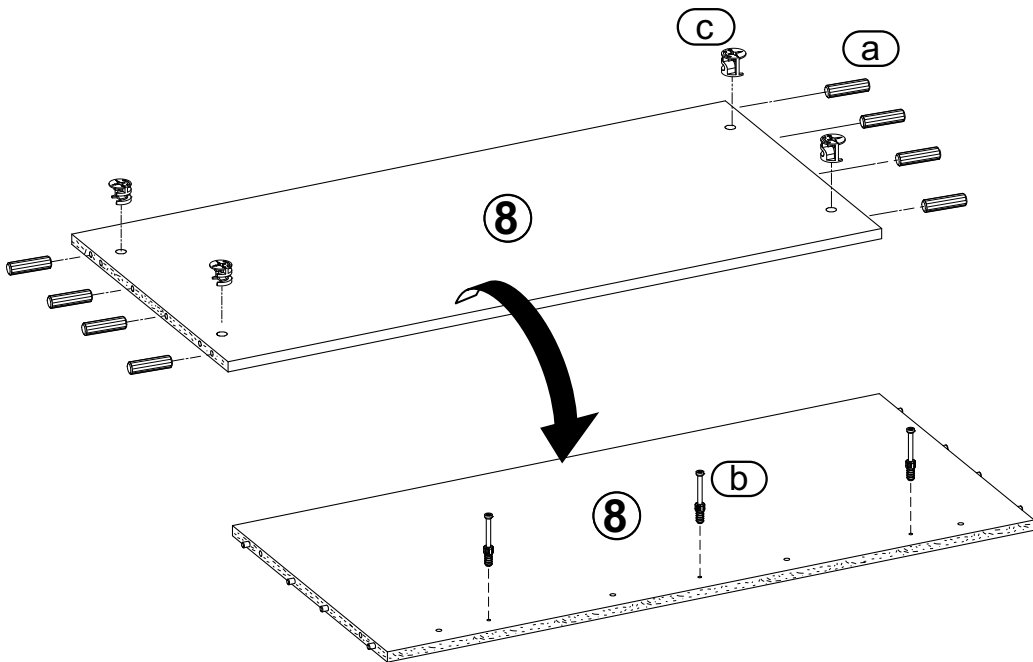
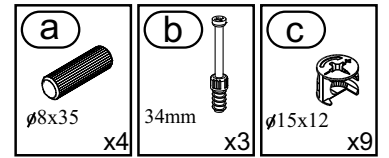
# 6



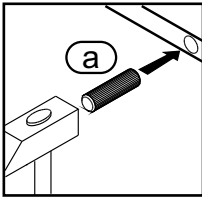
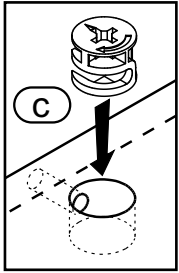
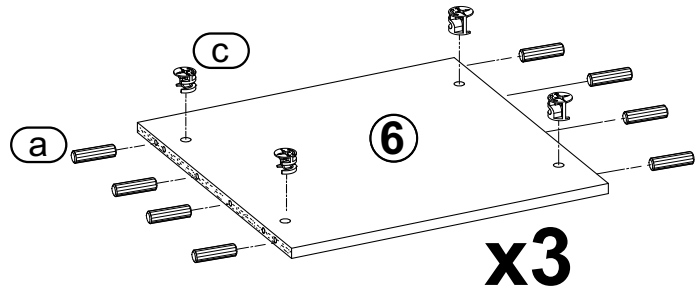
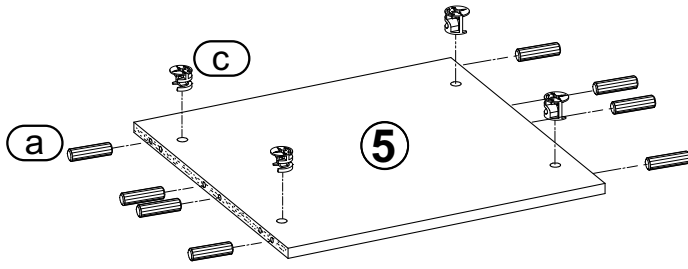
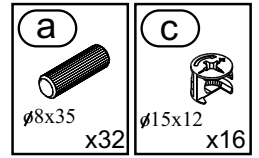
# 7



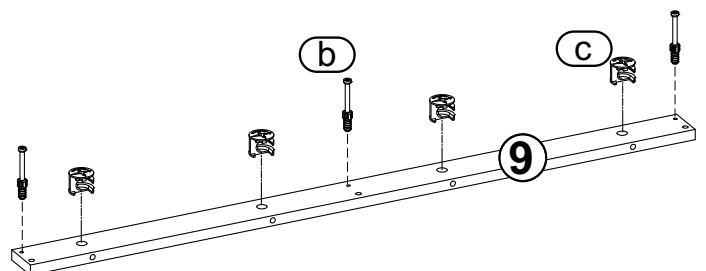
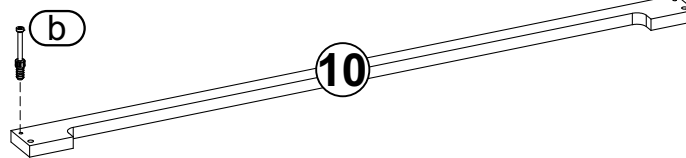
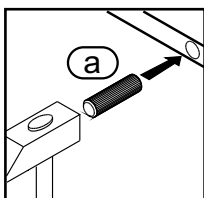
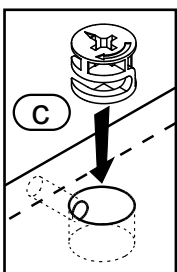
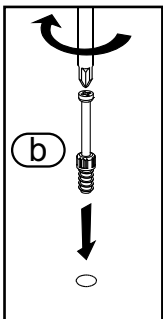
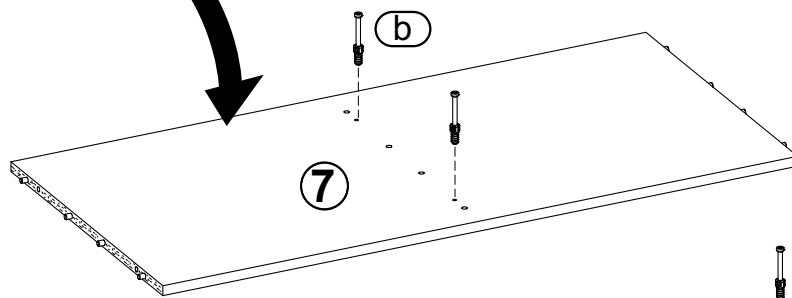
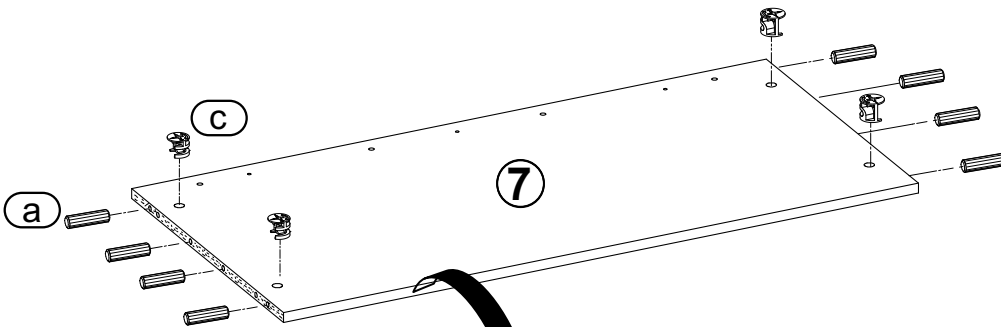
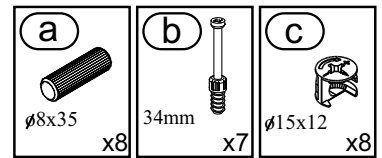
# 8



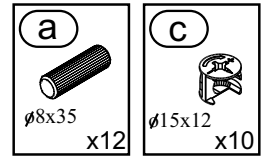
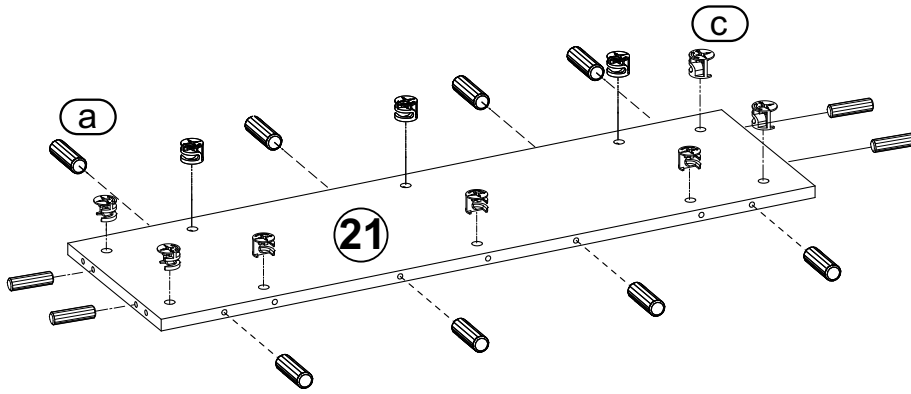
# 9



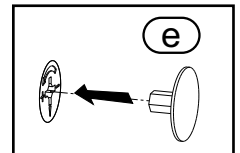
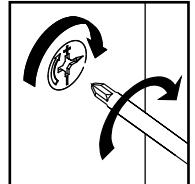
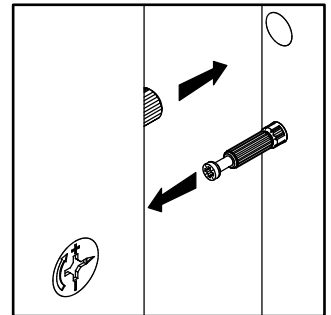
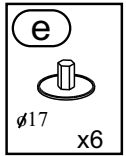
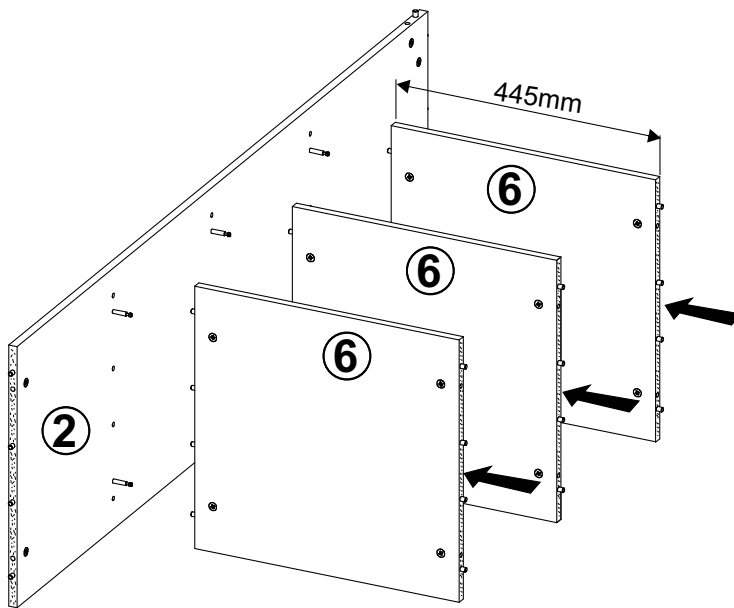
# 10



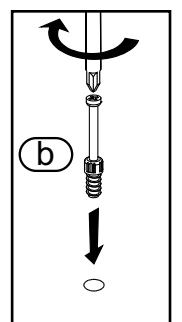
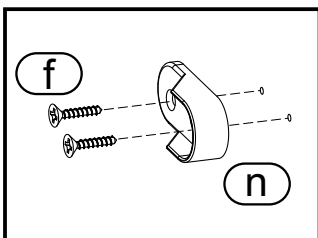
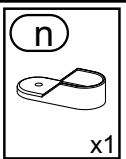
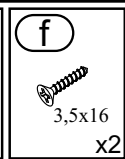
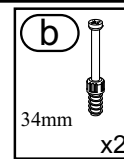
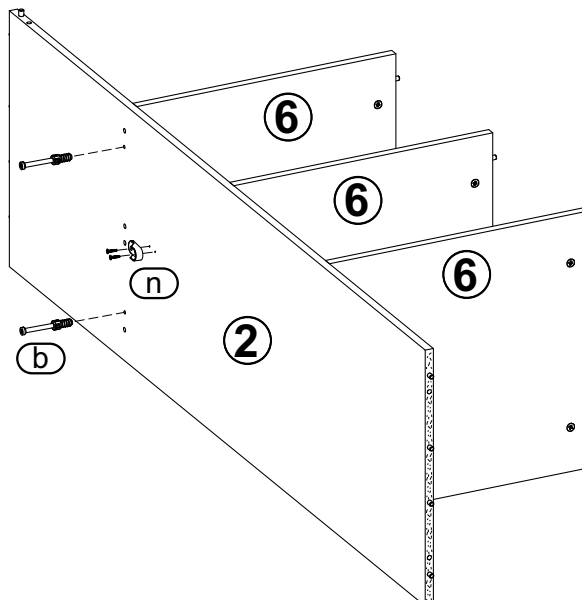
# 11



# 12

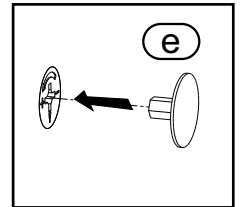
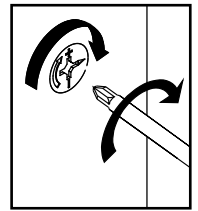
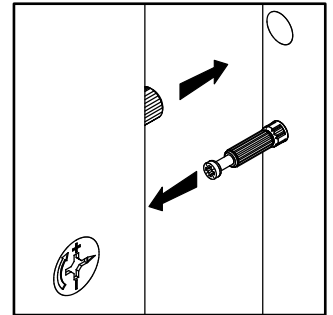
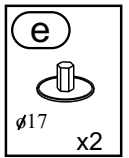
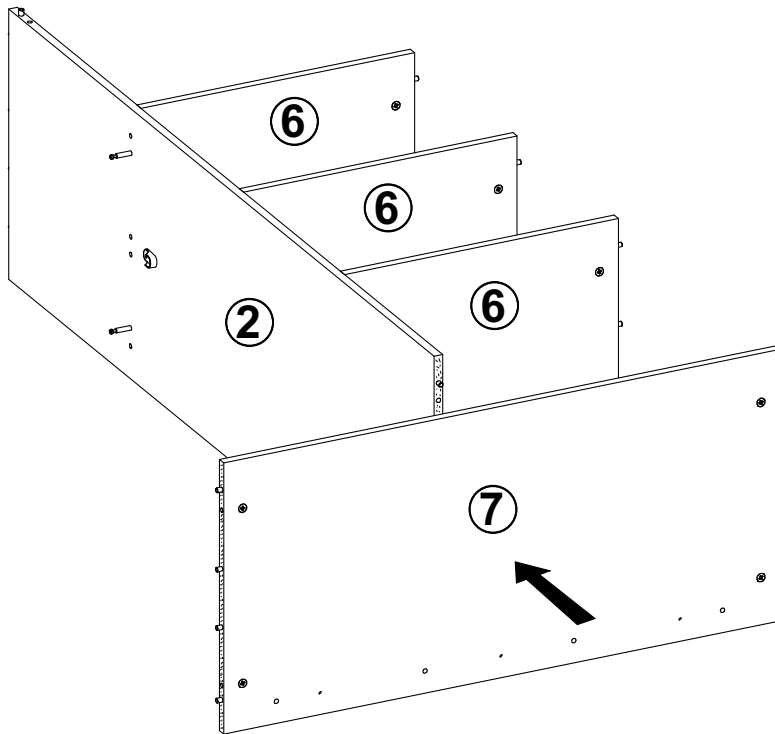


# 13

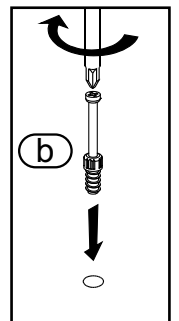
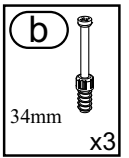
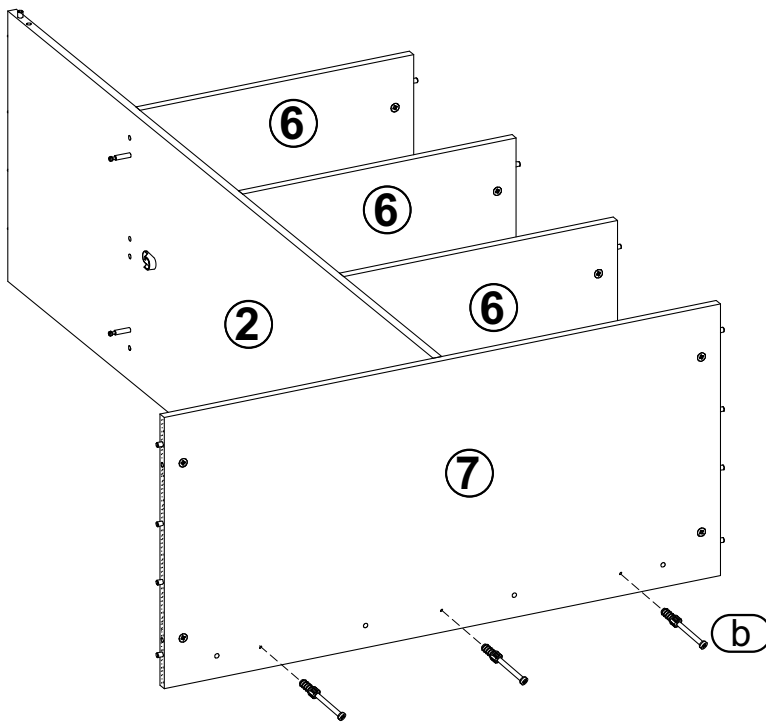




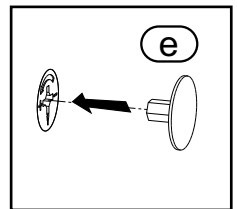
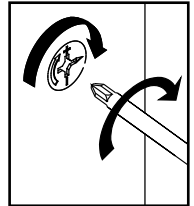
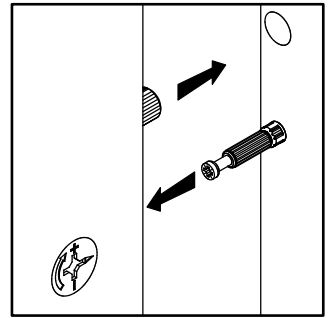
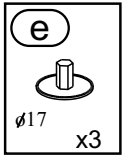
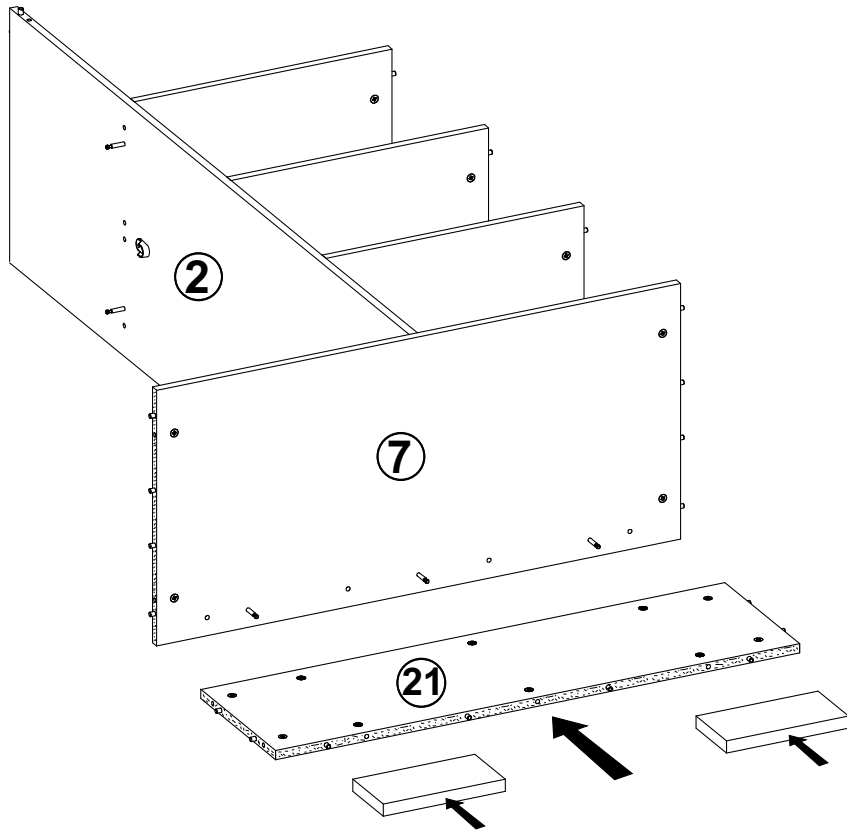
# 14



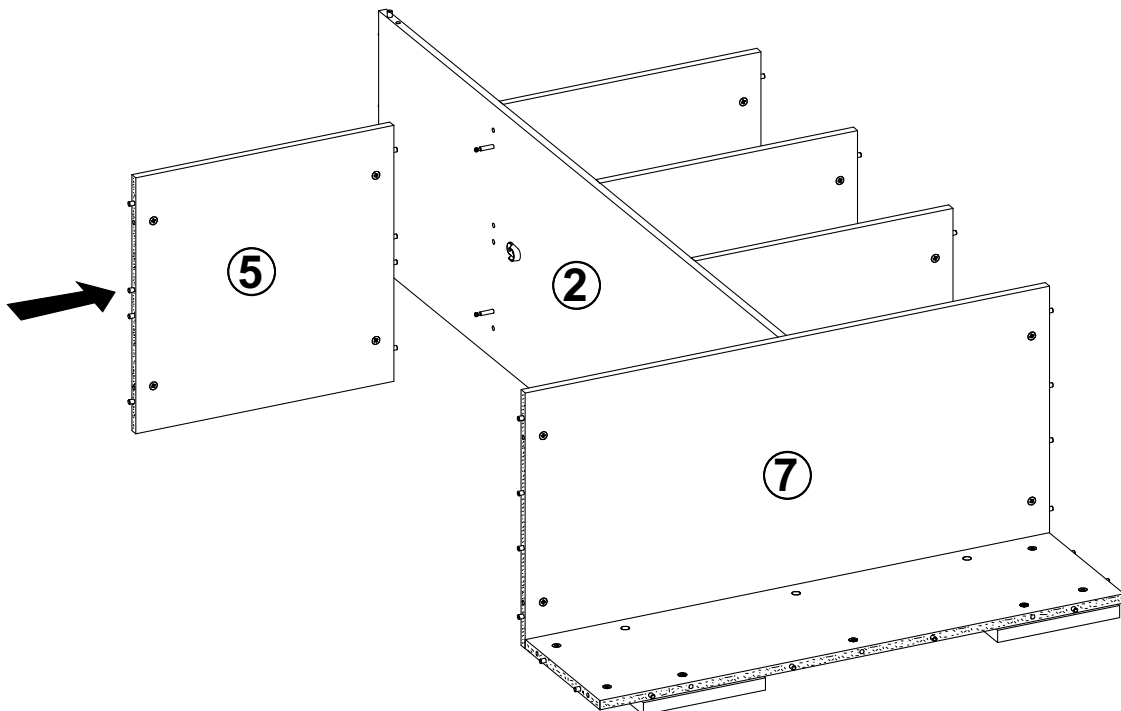
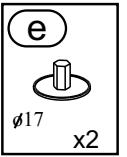
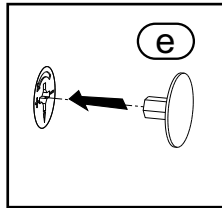
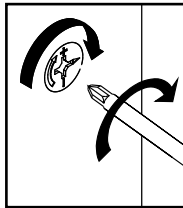
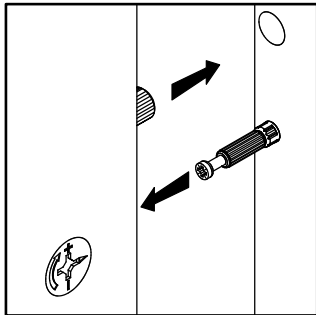
# 15



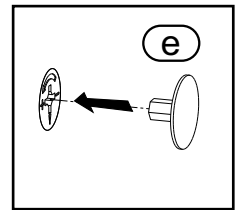
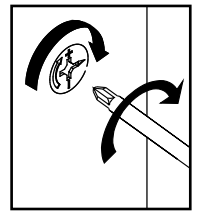
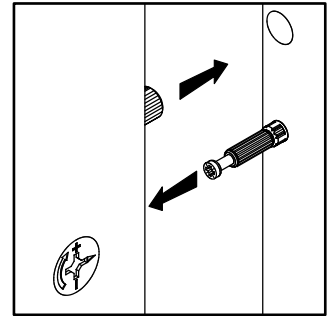
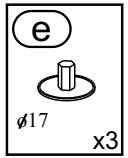
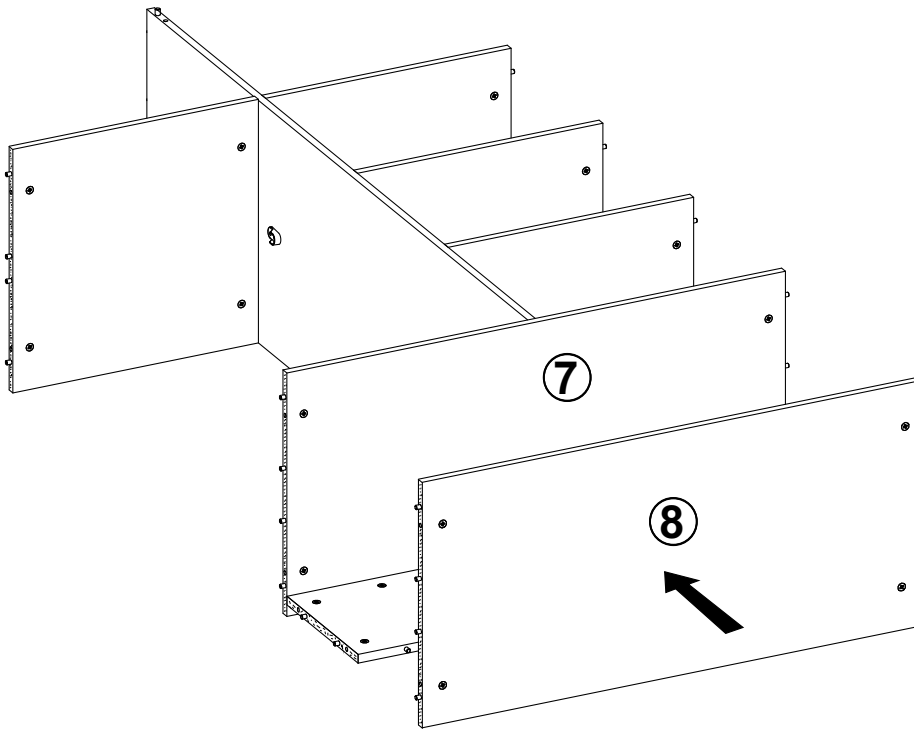
# 16



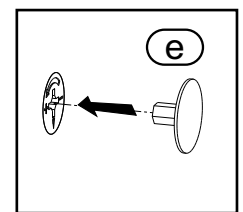
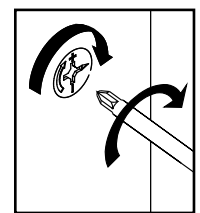
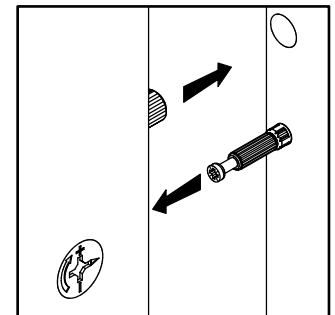
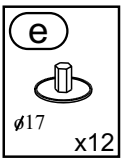
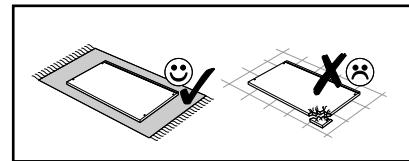
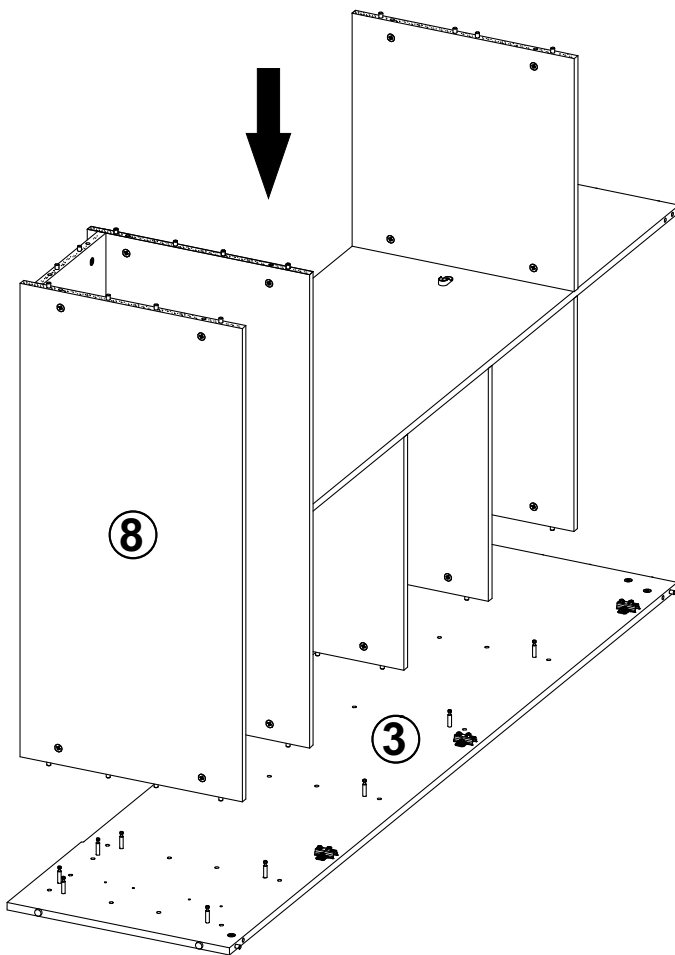
# 17



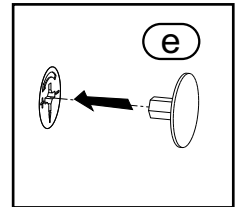
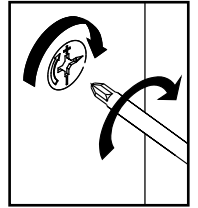
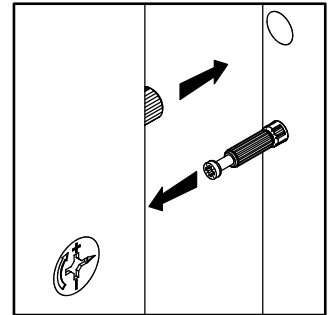
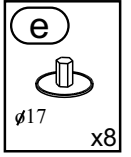
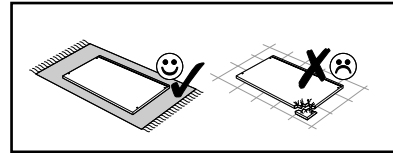
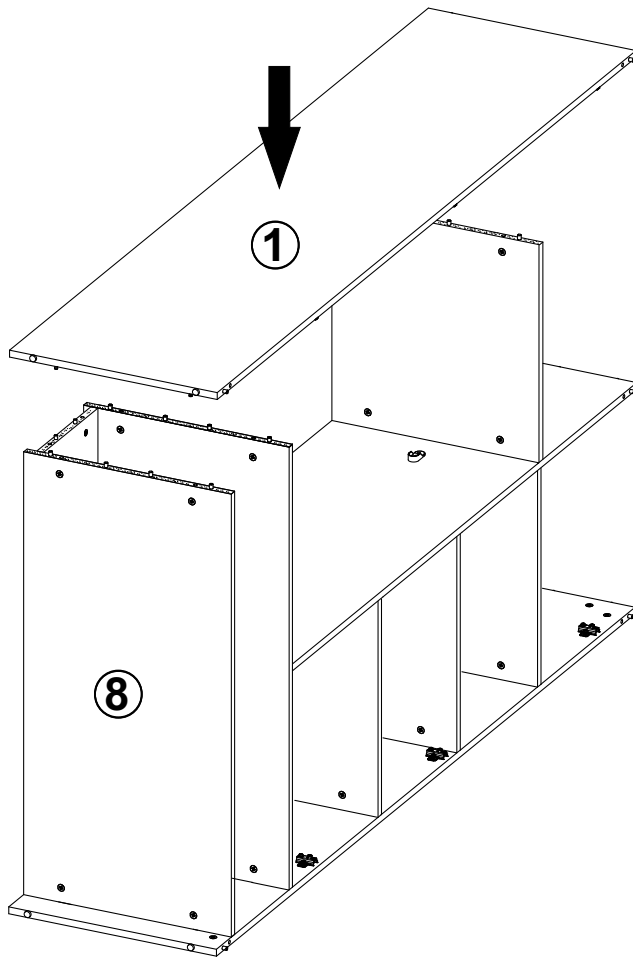
# 18



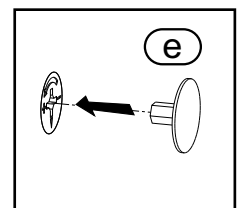
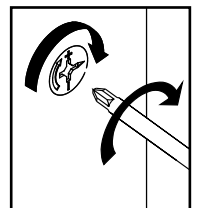
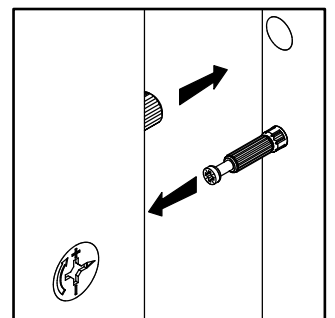
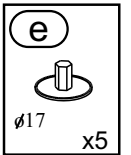
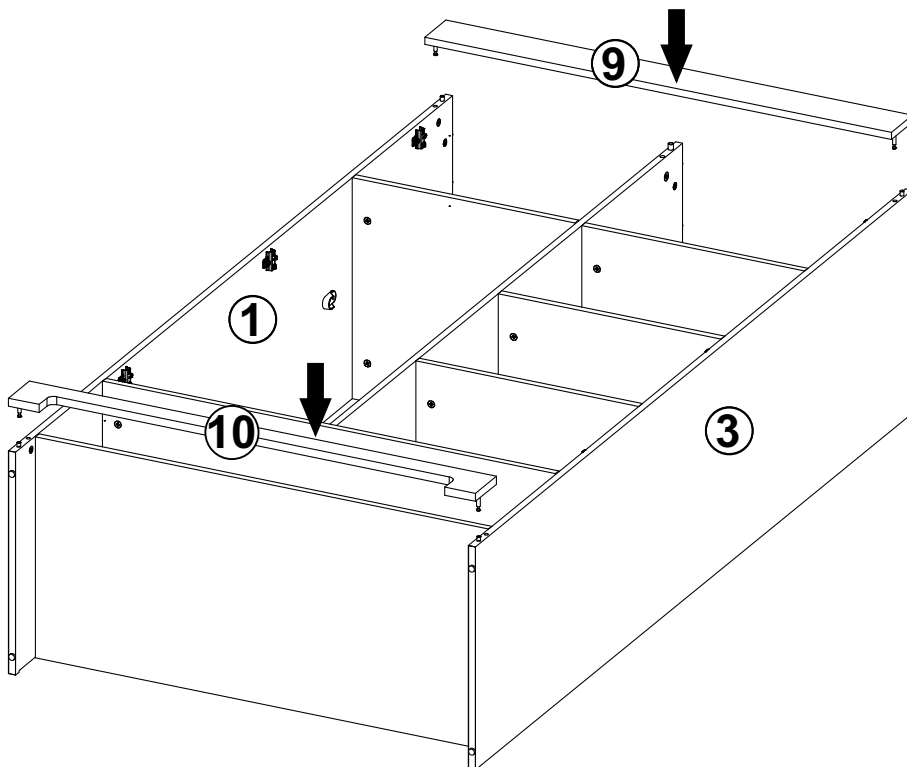
# 19



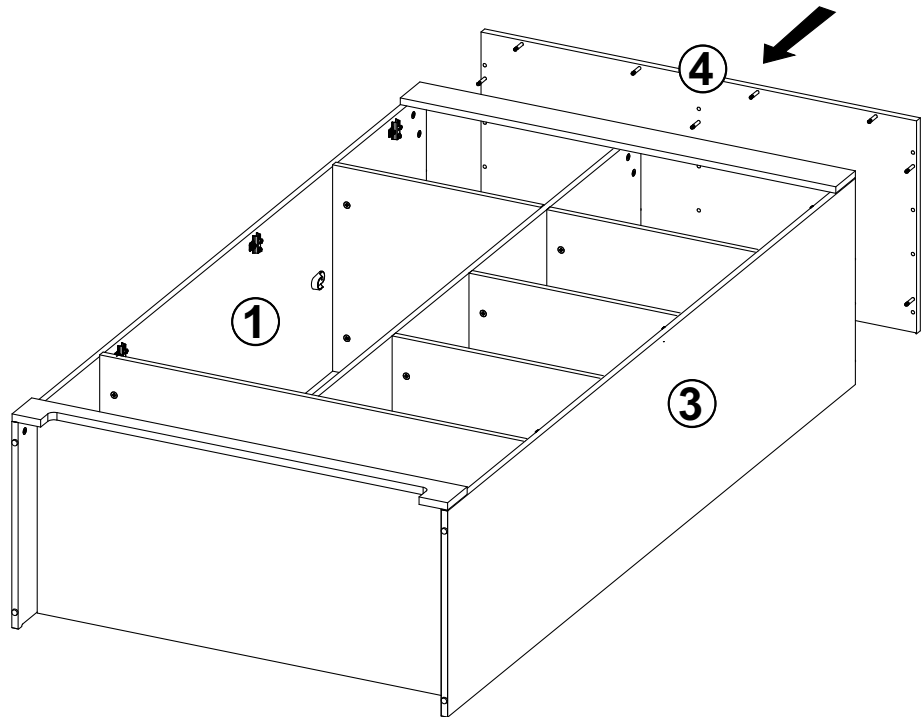
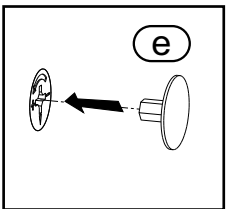
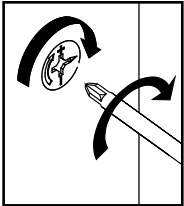
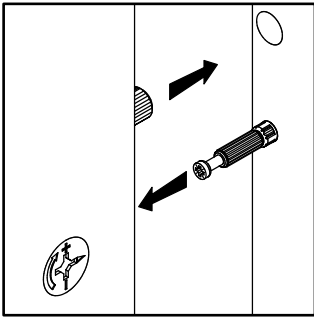
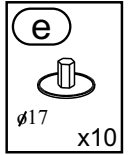
# 20



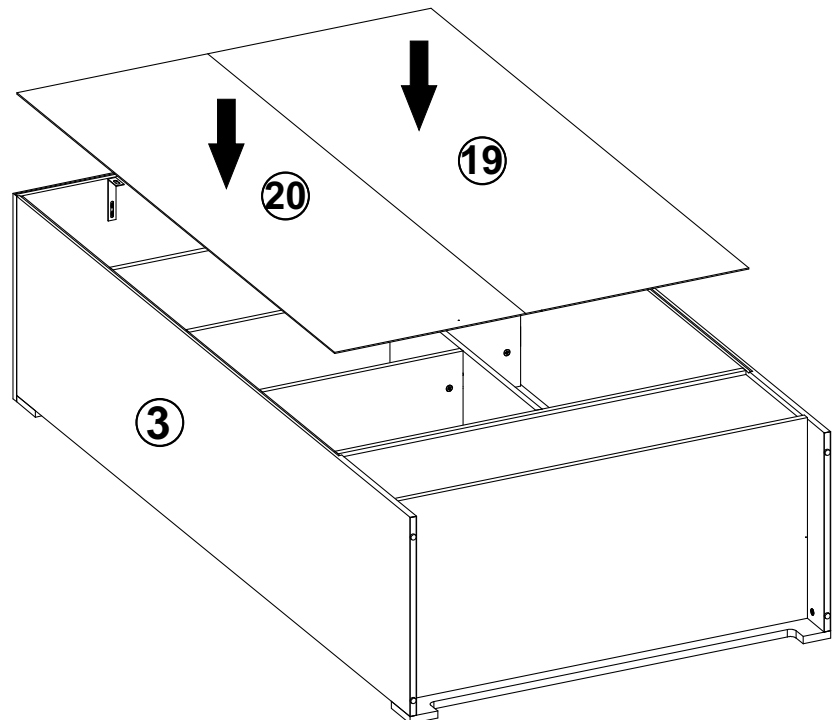
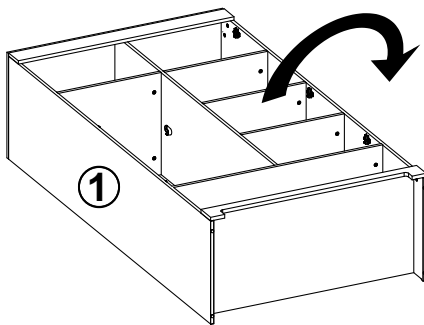
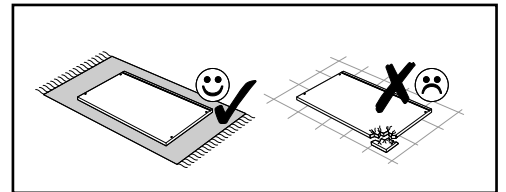
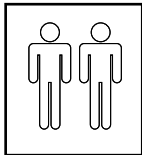
# 21



# 22

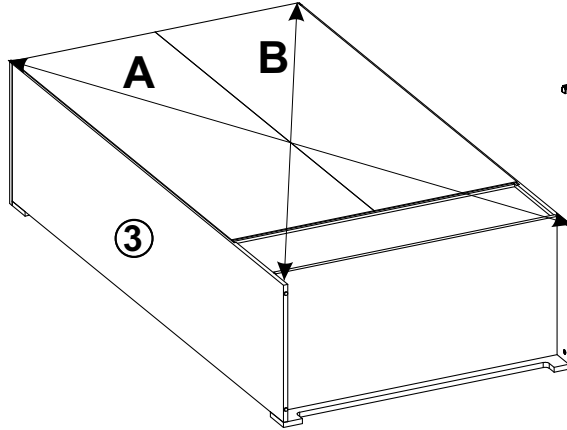
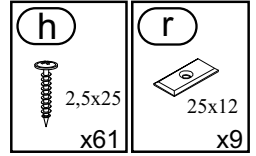
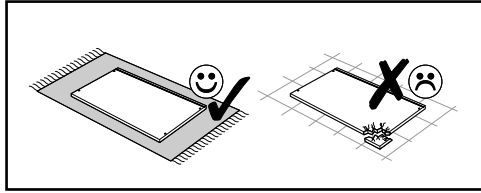


# 23

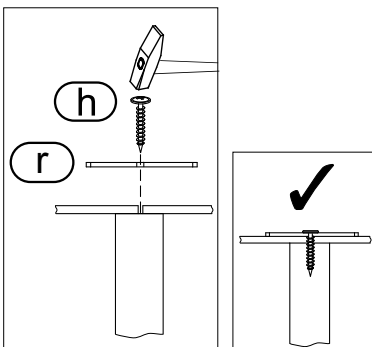
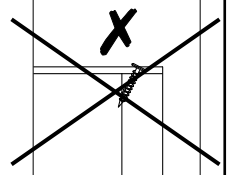
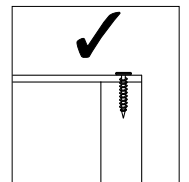
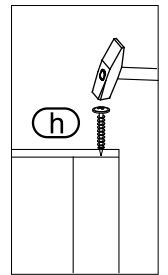
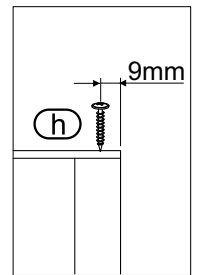
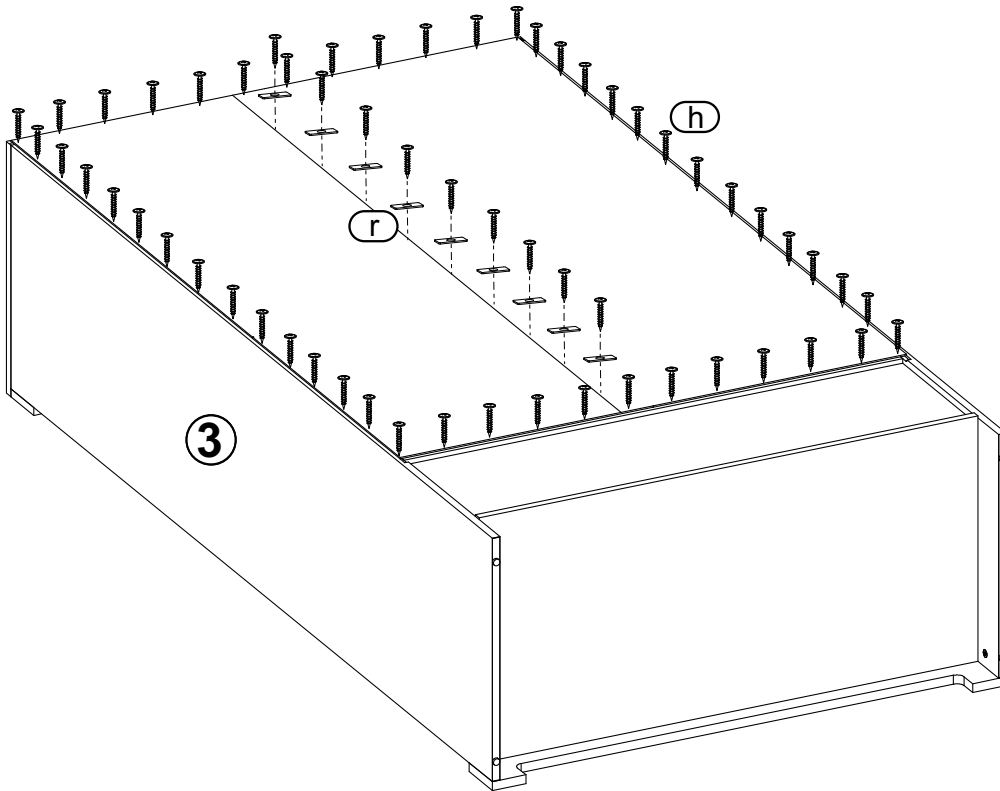


# 24

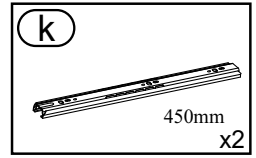
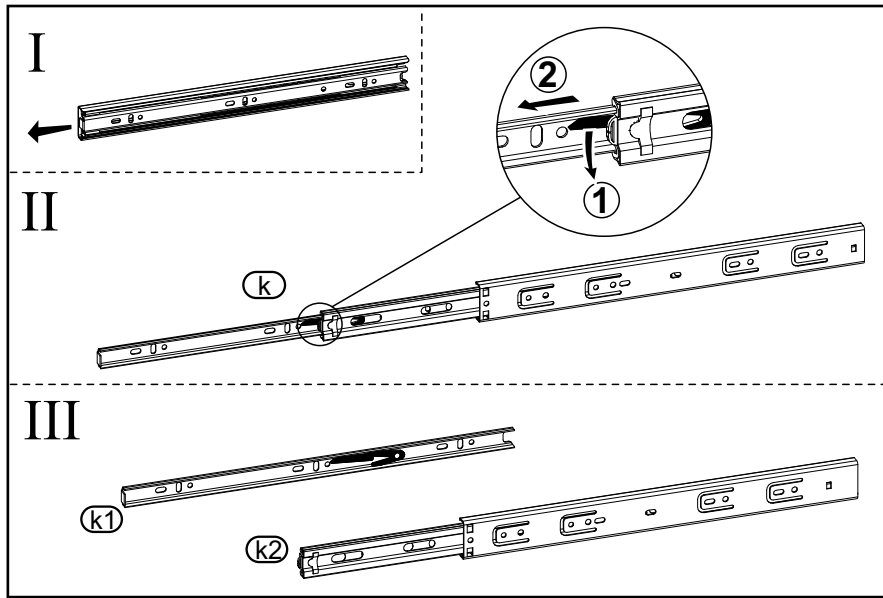
# !!!



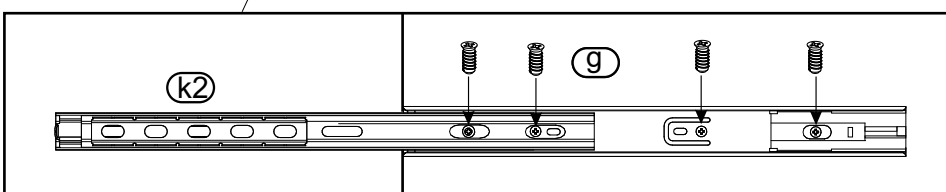
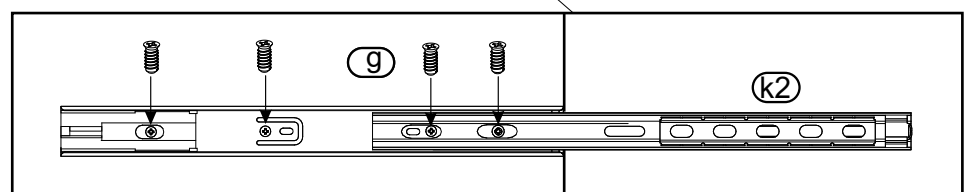
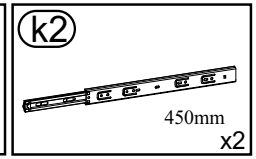
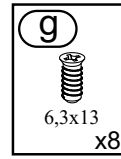
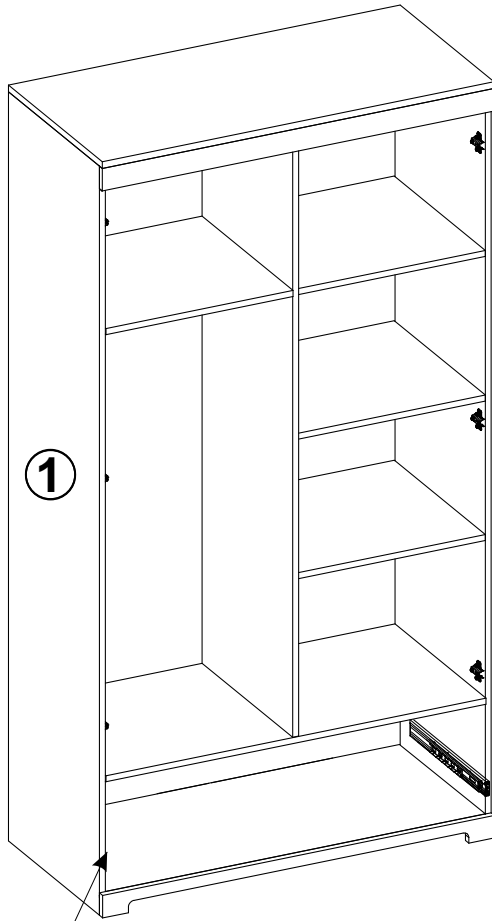
A=B



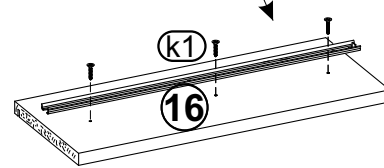
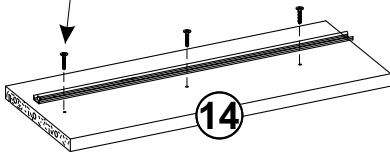
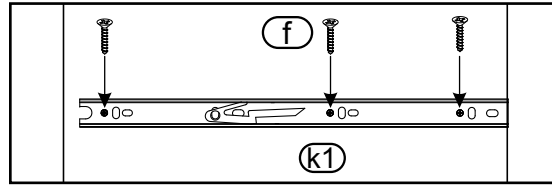
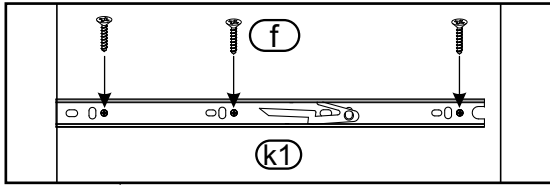
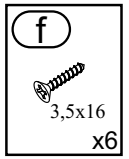
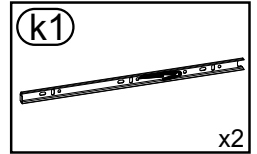
# 25



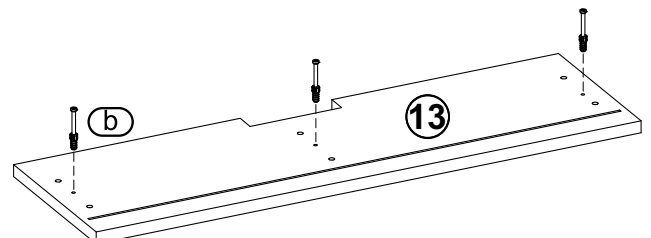
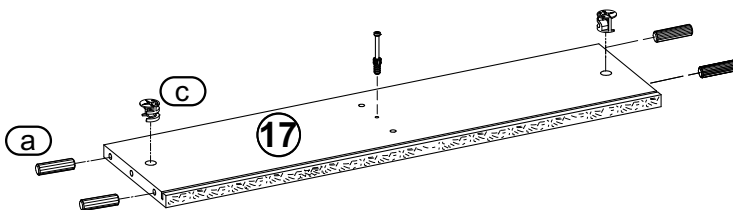
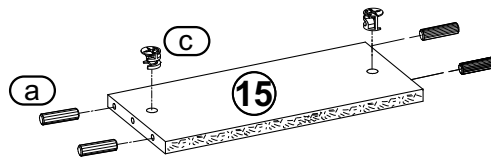
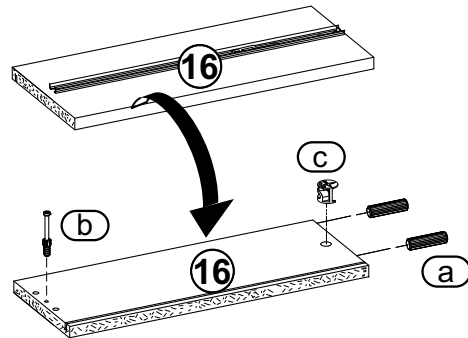
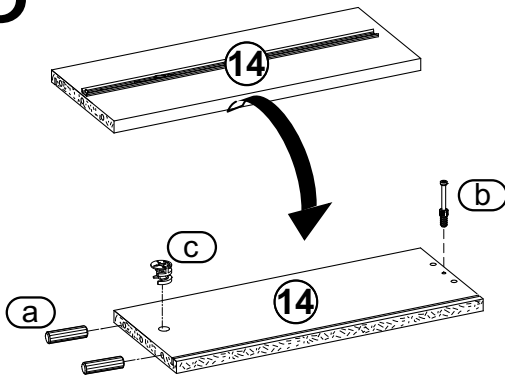
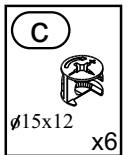
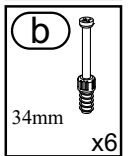
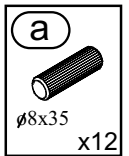
# 26



# 27

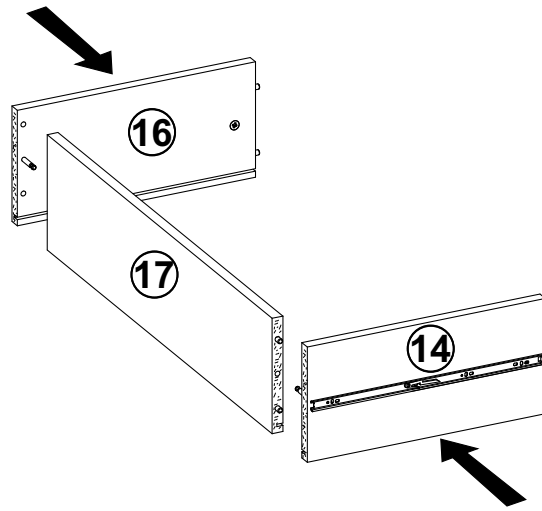
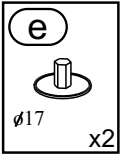
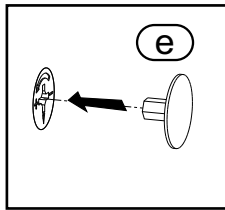
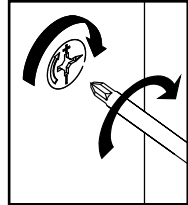
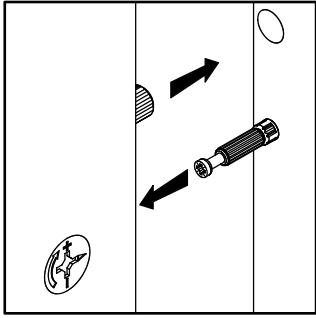


# 28

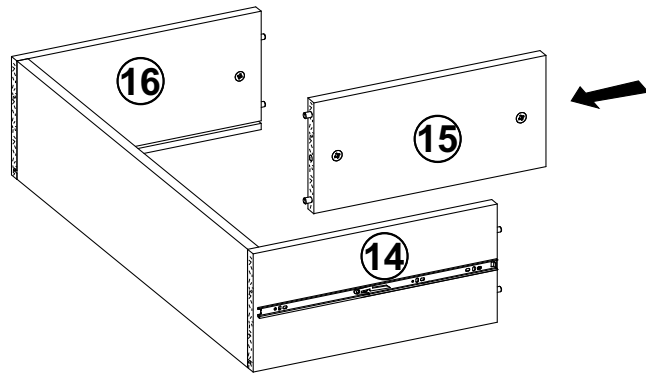
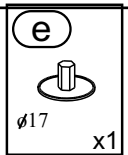
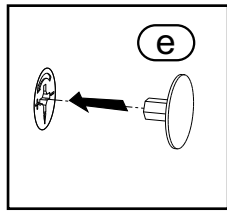
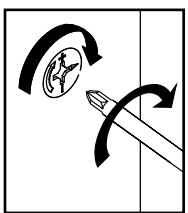
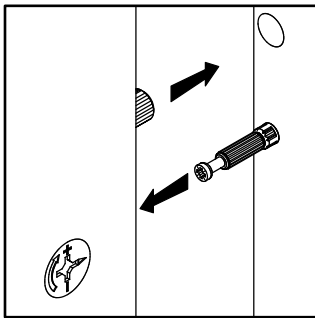




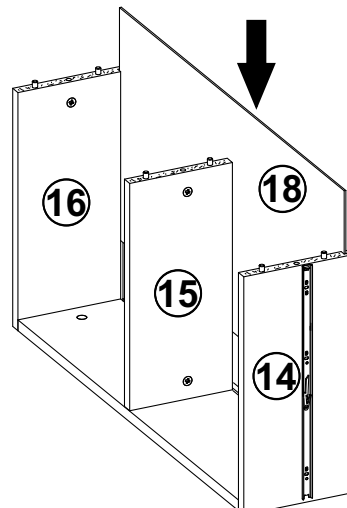
# 29



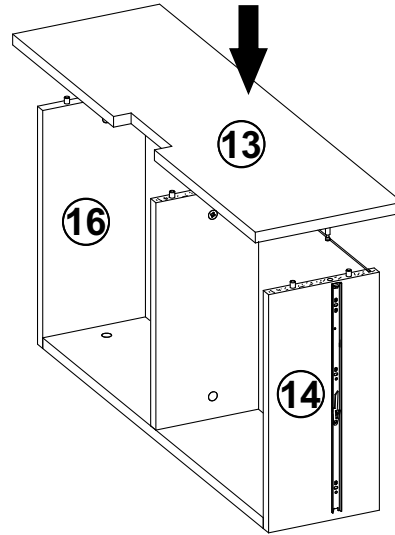
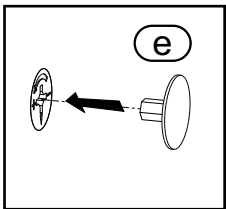
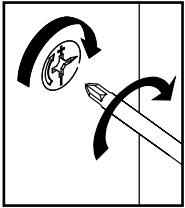
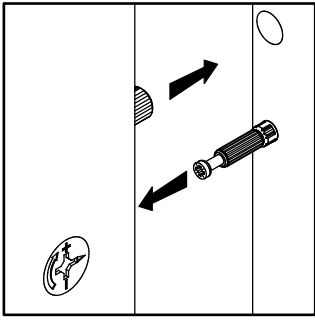
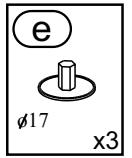
# 30



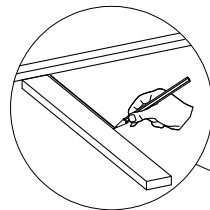
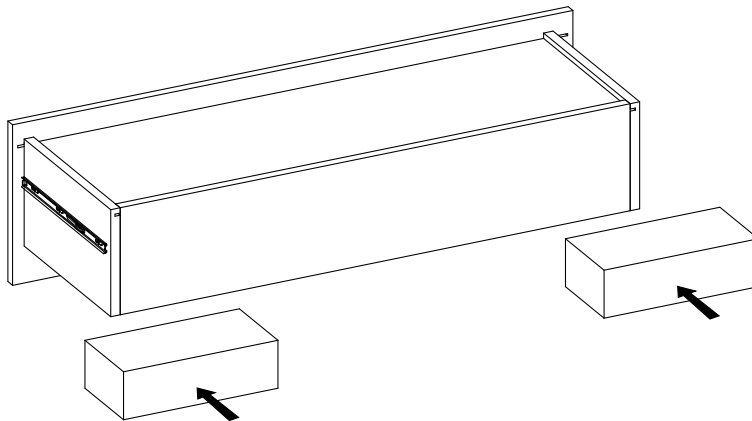
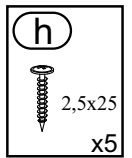
# 31



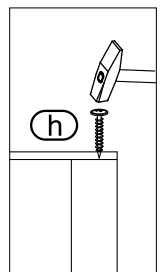
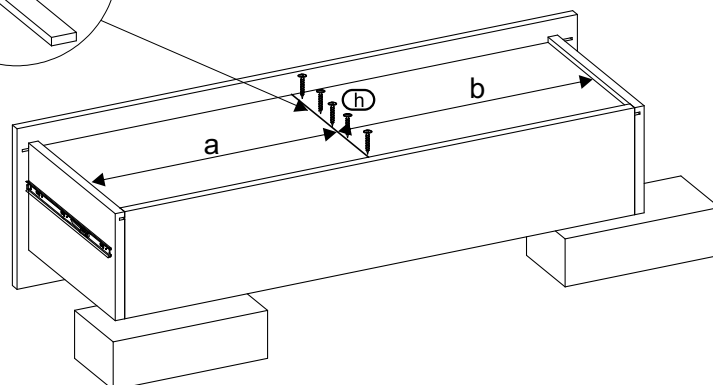
# 32



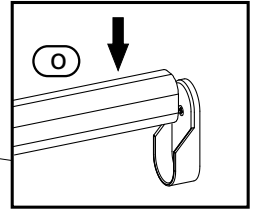
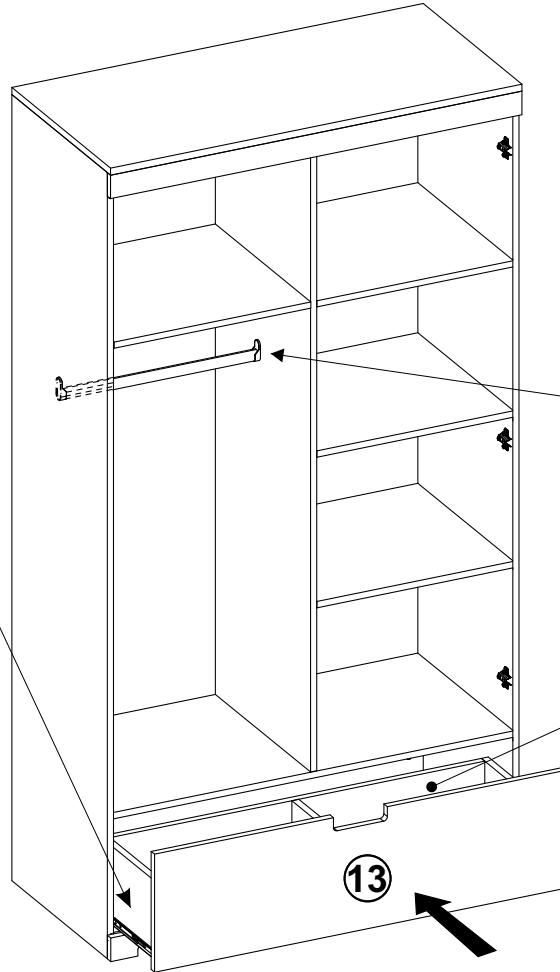
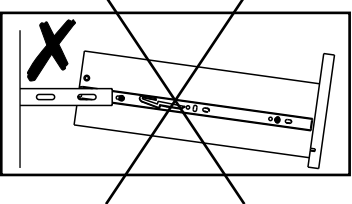
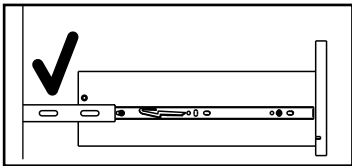
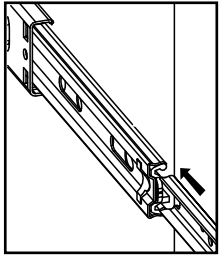
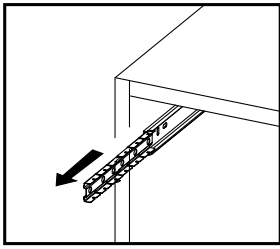
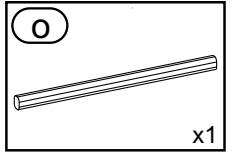
# 33



$a=b$

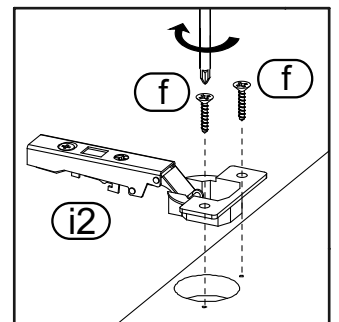
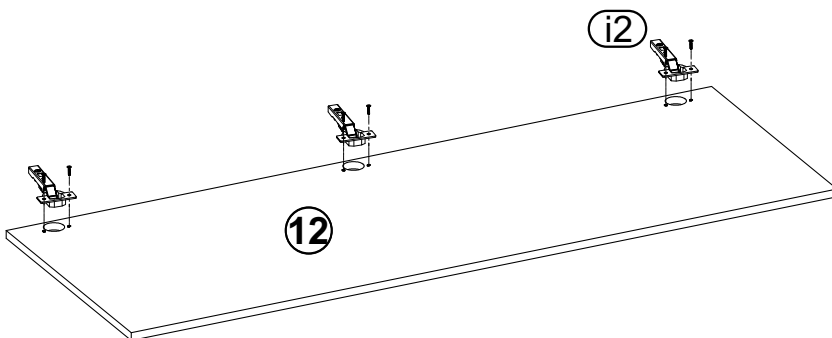
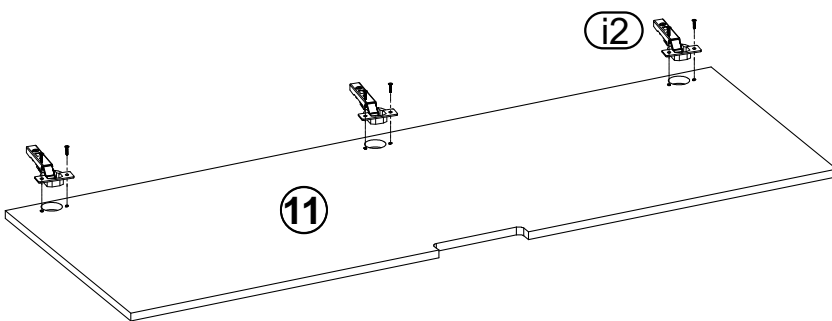
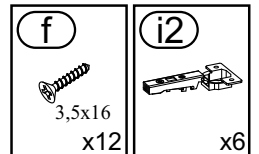


# 34



max.  
3KG

# 35



# 36

(m)  
6x60  
x2

